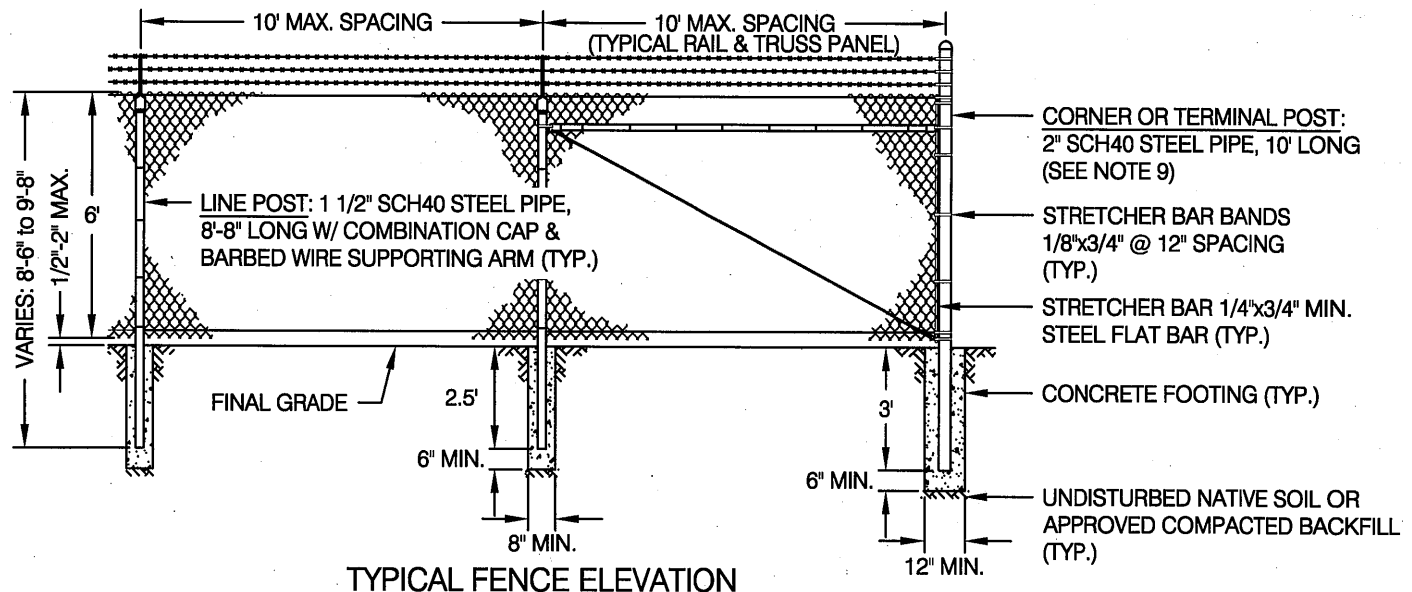


**INTERMEDIATE POST DETAIL**



**TYPICAL FENCE ELEVATION**

**NOTES:**

1. ALTERNATE MANUFACTURING DETAILS NOT COVERED ON THIS DRAWING SHALL BE SUBMITTED BY THE CONTRACTOR FOR APPROVAL BY THE DISTRICT ENGINEER.
2. ADJUSTABLE TIGHTENERS SHALL BE TURNBUCKLE OR EQUIVALENT, HAVING 6" MINIMUM TAKE-UP.
3. SECURE GALVANIZED CAP TO POST WITH 1/4" ROUND HEAD RIVETS.
4. TYPICAL RAIL WIRE PANELS SHALL BE USED AT ALL CORNERS, TERMINAL POSTS, AND ANGLE POINTS.
5. ALL HARDWARE SHALL BE GALVANIZED.
6. BARBED WIRE SHALL BE 2 STRANDS OF GALVANIZED TWISTED 12.5 GA. CARBON STEEL WIRE. BARBS SHALL BE FOUR POINT, 4" ± CENTERS.
7. CHAIN LINK FABRIC SHALL BE 72" HIGH OF 9 GA. CARBON STEEL WIRE, WOVEN IN A 2" MESH AND GALVANIZED AFTER WEAVING.
8. INTERMEDIATE POSTS SHALL BE INSTALLED AT NOT MORE THAN 1000' INTERVALS ALONG FENCE LINE AND AT GRADE CHANGES EXCEEDING 5%.
9. CORNER POSTS SHALL HAVE TYPICAL RAIL & TRUSS WIRE PANEL TO JOIN POST IN BOTH DIRECTIONS.
10. THE CONCRETE SHALL HAVE A MINIMUM COMPRESSIVE STRENGTH OF 3000 PSI. ALL CEMENT SHALL BE TYPE II PORTLAND, WITH A MINIMUM OF 5 SACKS OF CEMENT PER CUBIC YARD OF CONCRETE. TOP SURFACES OF ALL CONCRETE FOOTINGS SHALL BE SLOPED TO DRAIN.
11. GRADING PLANS ALONG THE PROPOSED FENCE WILL BE PREPARED BY THE DEVELOPER AND PRESENTED TO THE DISTRICT FOR APPROVAL AS PART OF THE OVERALL SITE DEVELOPMENT PLAN. SEE DETAIL W-52.
12. CONTRACTOR SHALL INSTALL SIGNS AT 150' INTERVALS. PROVIDED BY THE DISTRICT AT THE CONTRACTOR'S EXPENSE.



NOTE: CALL U.S.A. AT LEAST 48 HOURS PRIOR TO EXCAVATION 1-800-642-2444  
REFER TO THE STANDARD SPECIFICATIONS

TYPICAL CHAIN LINK FENCING  
APPROVED BY: [Signature]  
DIRECTOR OF ENGINEERING RCE #66517  
DATE 7-18-12

DETAIL W-46  
REVISION 3  
7-18-12