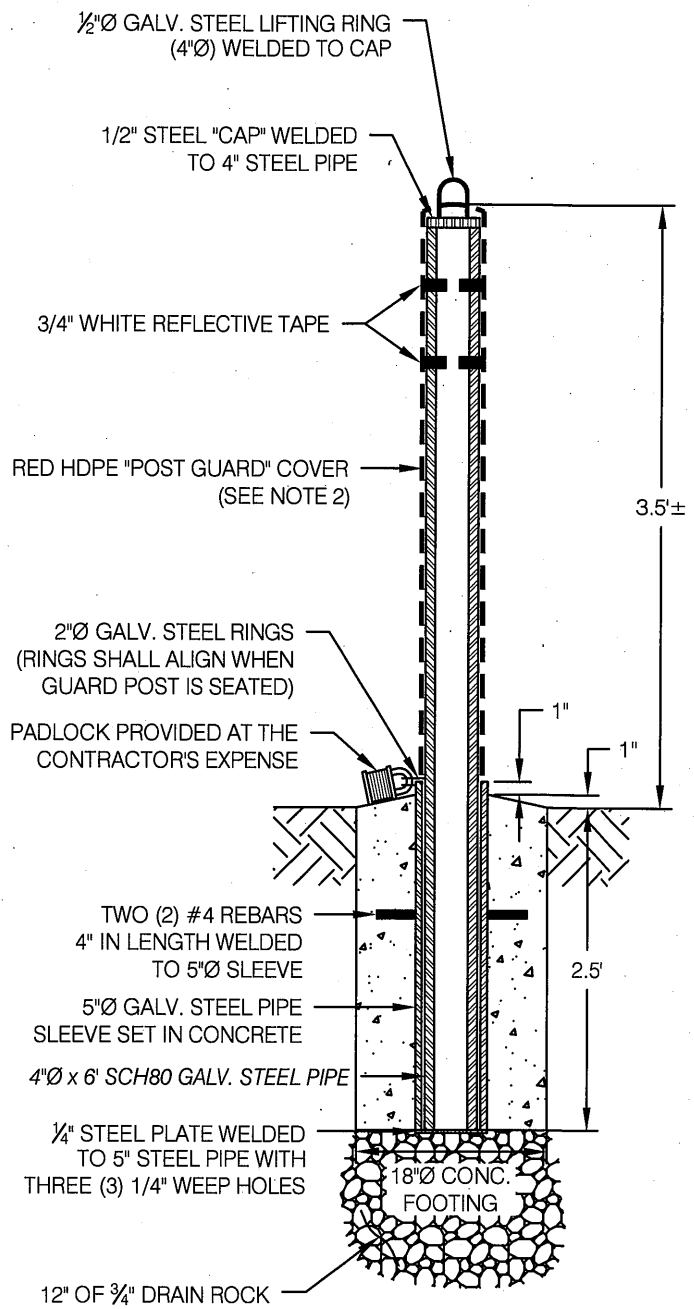


**TYPE I - FIXED GUARD POST**



**TYPE II - REMOVABLE GUARD POST**

**NOTES:**

1. THE TYPE AND LOCATION OF THE GUARD POSTS SHALL BE DETERMINED BY THE DISTRICT ENGINEER.
2. THE HIGH DENSITY POLYETHYLENE PROTECTIVE SLEEVE WILL BE A POST GUARD MANUFACTURED BY ENCORE OR AN APPROVED EQUAL. RED IN COLOR WITH WHITE REFLECTIVE TAPE.
3. THE CONCRETE SHALL HAVE A MINIMUM COMPRESSIVE STRENGTH OF 3,000 PSI. ALL CEMENT SHALL BE TYPE II PORTLAND CEMENT, WITH A MINIMUM OF FIVE SACKS OF CEMENT PER CUBIC YARD OF CONCRETE.



NOTE: CALL U.S.A.  
AT LEAST 48 HOURS  
PRIOR TO EXCAVATION  
1-800-642-2444

REFER TO THE  
STANDARD SPECIFICATIONS

APPROVED BY:   
DIRECTOR OF ENGINEERING

**GUARD POST (BOLLARD) DETAIL**

RCE #66517

7-18-12  
DATE

DETAIL  
W-20.5

REVISION  
3  
7-18-12