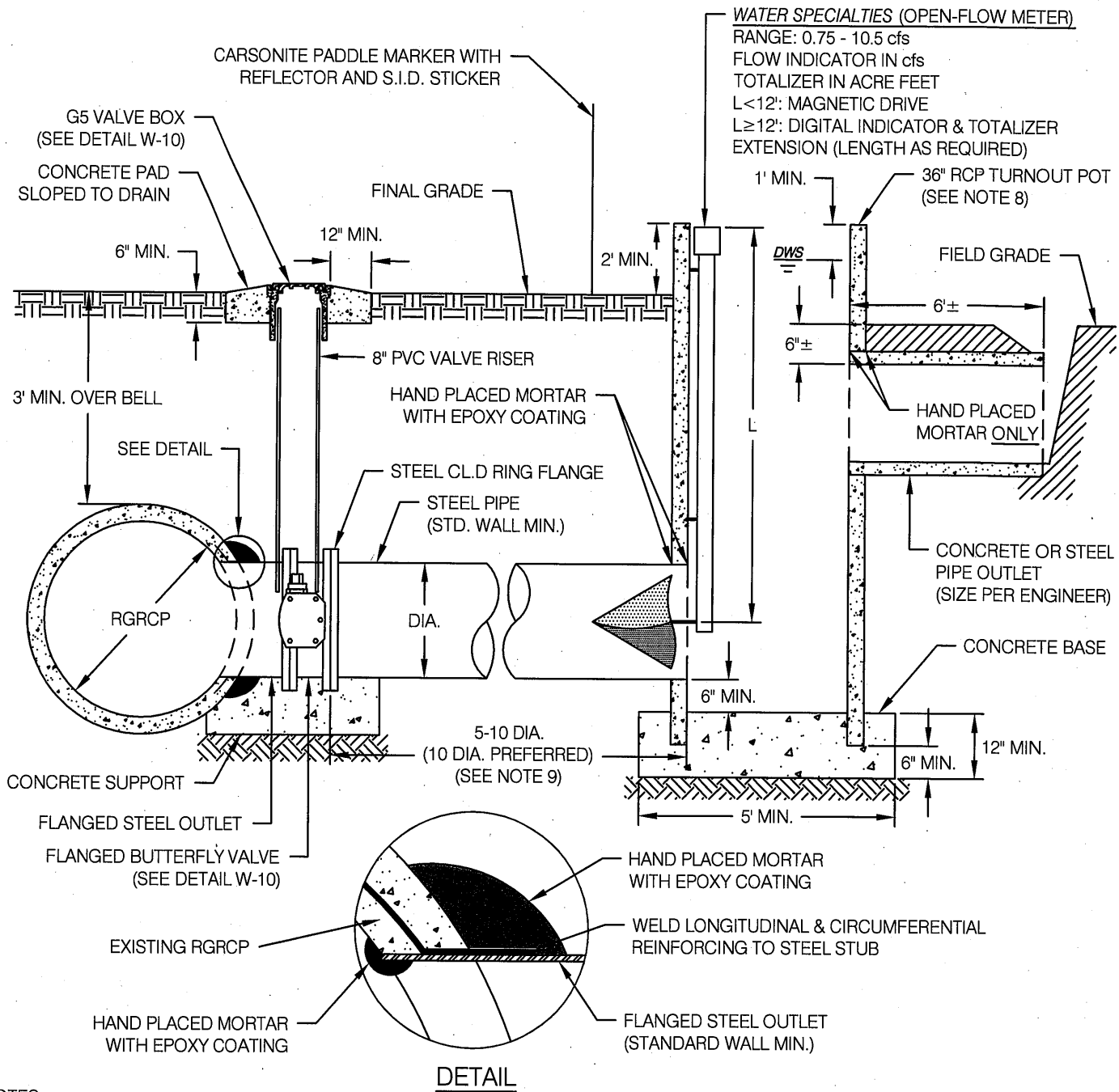


WATER SPECIALTIES (OPEN-FLOW METER)
 RANGE: 0.75 - 10.5 cfs
 FLOW INDICATOR IN cfs
 TOTALIZER IN ACRE FEET
 L < 12': MAGNETIC DRIVE
 L ≥ 12': DIGITAL INDICATOR & TOTALIZER
 EXTENSION (LENGTH AS REQUIRED)



DETAIL

NOTES:

1. ALL STEEL PIPE SHALL BE LINED AND COATED WITH MULTI-PURPOSE EPOXY OR APPROVED EQUAL, EXCEPT FLANGE FACES AND WHERE MORTARED TO CONCRETE TURNOUT POT.
2. ALL BELOW GROUND NUTS, BOLTS AND MISCELLANEOUS STEEL SHALL BE TAPE WRAPPED, 20 MILS MINIMUM.
3. THE RCP TURNOUT POT SHALL HAVE A CONCRETE BASE WITH A MINIMUM OF 6" OF CONCRETE UNDER THE POT.
4. THE CONCRETE SHALL HAVE A MINIMUM COMPRESSIVE STRENGTH OF 3000 PSI. ALL CEMENT SHALL BE TYPE II PORTLAND, WITH A MINIMUM OF 5 SACKS PER CUBIC YARD OF CONCRETE.
5. THE INVERT OF THE TURNOUT POT INLET SHALL BE SET AT 6" ABOVE THE CONCRETE BASE.
6. THE CROWN OF THE TURNOUT POT OUTLET SHALL BE SET 6"± BELOW FIELD GRADE.
7. THE INVERT OF THE OUTLET SHALL BE SET AT OR ABOVE THE CROWN OF THE INLET.
8. THE HEIGHT OF THE TURNOUT POT SHALL BE A MINIMUM OF 1' ABOVE THE DESIGN WATER SURFACE (DWS) ELEVATION WITH A MINIMUM OF 2' ABOVE FINAL GRADE.
9. IF 10 DIAMETERS CANNOT BE MET, STRAIGHTENING VANES SHALL BE INSTALLED PER THE METER MANUFACTURE'S REQUIREMENTS.
10. IN DEVELOPED OR HIGH TRAFFIC AREAS, AN EXPANDED METAL COVER WITH METER ACCESS DOOR SHALL BE SECURED TO THE TURNOUT POT, AS DIRECTED BY THE ENGINEER. SEE DETAIL W-26.5 FOR FABRICATION SPECIFICATIONS.
11. PIPELINE DIAMETERS, DIRECTIONS, ELEVATIONS AND DIMENSIONS SHALL BE SPECIFIED BY THE ENGINEER.
12. TURNOUTS INSTALLED IN DEVELOPED AREAS, NEAR RURAL RESIDENCES OR AS DIRECTED BY THE ENGINEER SHALL HAVE A SAFETY SCREEN FABRICATED AND INSTALLED PER DETAIL W-26.5.



NOTE: CALL U.S.A.
 AT LEAST 48 HOURS
 PRIOR TO EXCAVATION
 1-800-642-2444

REFER TO THE
 STANDARD SPECIFICATIONS

RGRCP: EXISTING PIPELINE AG TURNOUT

APPROVED BY:
 DIRECTOR OF ENGINEERING

RCE #66517

7-18-12
 DATE

DETAIL
 W-39

REVISION
 3
 7-18-12